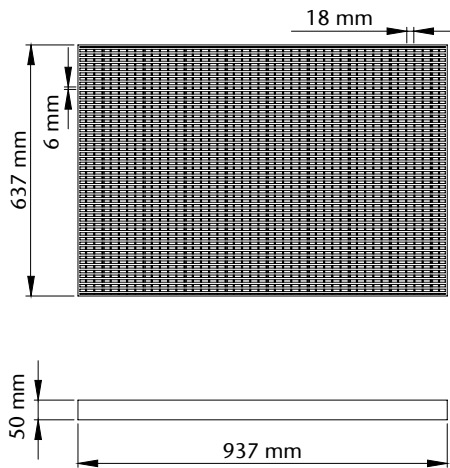
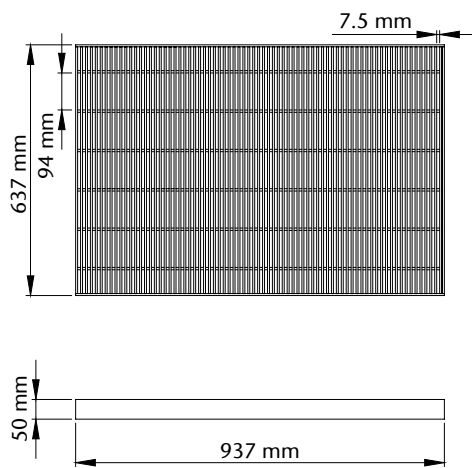


Type 96 Polycrete® Pit – polymer concrete pit and grate

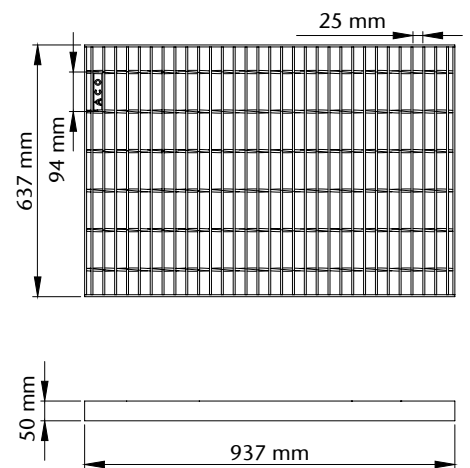
Stainless 5 Star grate



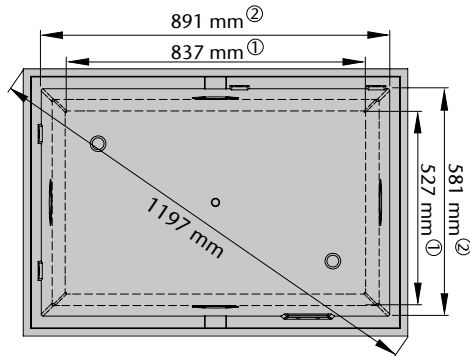
Galvanised Heelguard grate



Galvanised Transverse grate

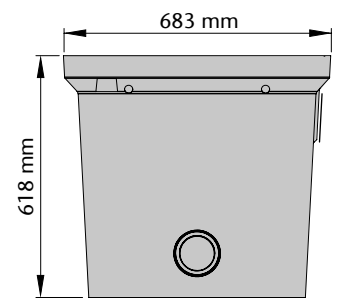
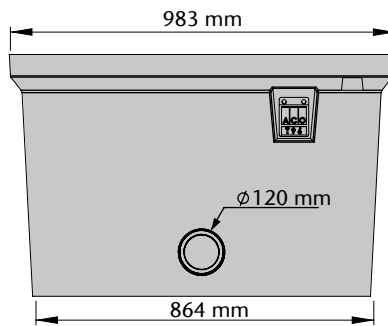
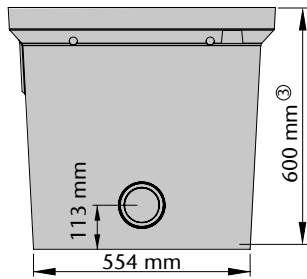


Drainage pit



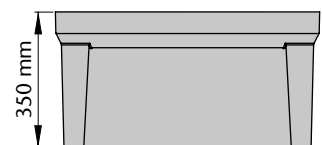
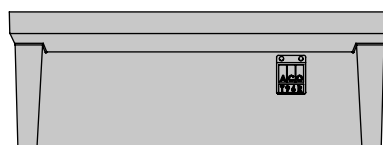
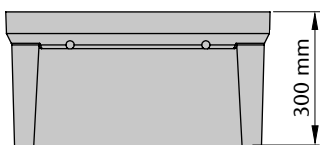
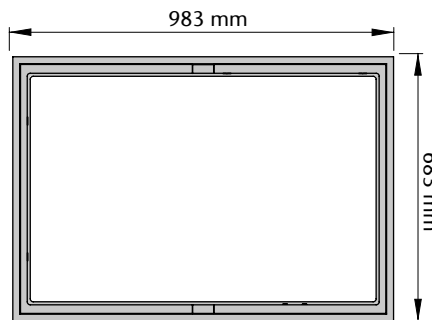
Key

- ① Clear working dimension at pit base.
- ② Clear working dimension at pit opening.
- ③ Pit invert depth.



Optional riser

- each riser adds up to 300mm height



ACO Specification Information

ACO DRAIN®

Type 96 Polycrete® Pit – polymer concrete pit and grate

ACO Specification Information

Pit/riser and grates				
Descriptions	Part No.	Slot Size (mm)	Intake Area (mm ²)	Weight (kg)
Type 96 Polymer concrete pit	74432	-	-	95
Type 96 Polymer concrete riser	74447	-	-	55
Type 96 Stainless 5 Star Heelsafe ® Anti-Slip grate (330kg nominal wheel load)	141812	18 x 6	269,175	24.7
Type 96 Stainless 5 Star Heelsafe ® Anti-Slip grate - locking (330kg nominal wheel load)	142077	18 x 6	269,175	24.7
Type 96 Galvanised Heelguard grate (2,670kg nominal wheel load)	90076	94 x 7.5	326,895	73.4
Type 96 Galvanised Heelguard grate - locking (2,670kg nominal wheel load)	78683	94 x 7.5	326,895	73.4
Type 96 Galvanised Transverse grate (2,670kg nominal wheel load)	78748	94 x 25	456,475	30.0
Type 96 Galvanised Transverse grate - locking (2,670kg nominal wheel load)	78726	94 x 25	456,475	30.0
Type 96 Galvanised Transverse grate (5,000kg nominal wheel load)	74478	94 x 25	456,475	36.0
Type 96 Galvanised Transverse grate - locking (5,000kg nominal wheel load)	77659	94 x 25	456,475	36.0

Notes:

1. Locking grate includes bar and brackets.
2. Stainless steel grade 304.

Specifications

The grated pit shall be ACO Drain® - Type 96 Polycrete® Pit – polymer concrete pit and grate as manufactured by ACO.

Type 96 pit and risers* shall be manufactured from polyester resin polymer concrete and installed in accordance with the manufacturer's installation instructions.

Type 96 pits have a clear opening of 891mm x 581mm with an invert depth of 600mm. The overall dimensions of the Type 96 pit is 983mm x 683mm x 618mm deep. Type 96 risers add 300mm to the overall depth of the pit.*

Grate for the Type 96 pit shall be standard non-locking / locking* and grate type:

- Stainless 5 Star **Heelsafe**® Anti-Slip grate (330kg nominal wheel load).*
- Galvanised Heelguard grate (2,670kg nominal wheel load).*
- Galvanised Transverse grate (2,670kg nominal wheel load).*
- Galvanised Transverse grate (5,000kg nominal wheel load).*

* delete as applicable

ACO Limited

New Zealand

Ph: 0800 448 080

www.aconz.co.nz

sales@aconz.co.nz

© March 2022 ACO Limited. All reasonable care has been taken in compiling the information in this document. All recommendations and suggestions on the use of ACO products are made without guarantee since the conditions of use are beyond the control of the company. It is the customer's responsibility to ensure that each product is fit for its intended purpose and that the actual conditions are suitable. ACO Limited pursues a policy of continuous product development and reserves the right to amend specifications without notice.

