


Product Features

- B** Certified to AS 3996 Load Class B (80kN)
(NATA endorsed load test reports available)
-  AS 3996 (Clause 3.3.6) compliant for bicycle tyre penetration resistance
- **QuickLok** boltless locking system
- Suitable for use with K300, KS300, H300K, H300KS channels
- Manufactured from galvanised steel



Specifications

The grate shall be ACO Type 807Q Galvanised Transverse grate with **QuickLok** boltless locking system as manufactured by ACO. This grate has an overall width of 338mm and overall length of 1000mm (Type 807Q) and 500mm (Type 808Q). Slot widths measure at a maximum of 13.5mm.

Materials & Design

The grate shall be manufactured from galvanised steel and have **minimum** properties and characteristics as follows:

- Manufactured from galvanised steel
- Certified to AS 3996 Load Class B (80kN)¹
- Meets AS 3996 (Clause 3.3.6)
- Intake area of 254,415mm² per metre of grate/124,595mm² per half metre of grate

¹ NATA endorsed test reports available

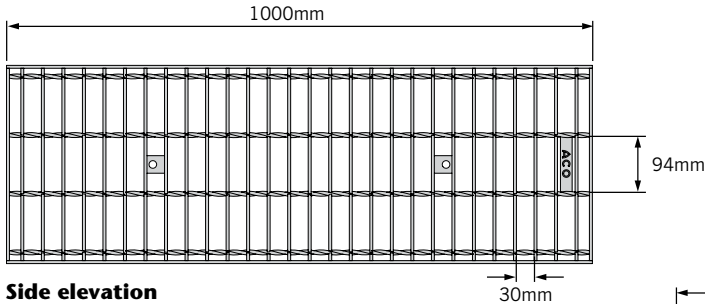
For the specification of the ACO Drain channel system selected, click: <http://www.acodrain.com.au/resources>

ACO DRAIN®

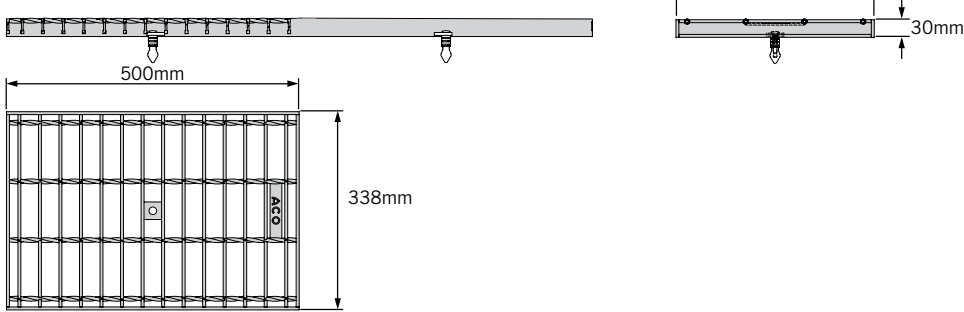
Type 807Q/808Q Galvanised Transverse grate



Plan view

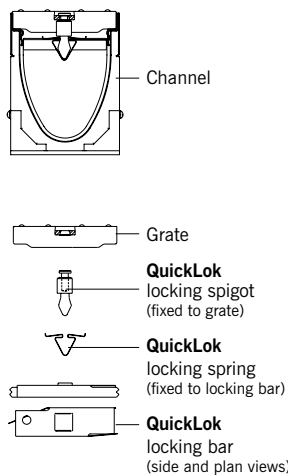


Side elevation



Description	Part No.	Length (mm)	Width (mm)	Weight (kg)
QuickLok grate				
Type 807Q Galvanised Transverse	141750	1000	338	12.4
Type 808Q Galvanised Transverse	141717	500	338	6.3
QuickLok locking bar	10458	-	-	0.1
Grate removal tool	01318	-	-	0.1

QuickLok locking mechanism



ACO **QuickLok** is a patented boltless locking system, grates are removed and replaced with the minimum time and effort for ease of maintenance. The unique design provides a positive 'snap down' fit into the locking bar. A spigot is fixed to the grate which 'locks' into the spring in the locking bar.

The **QuickLok** spigot is manufactured from stainless steel and high density nylon, the locking bar and spring are stainless steel, for use in both general purpose and corrosive environments.

ACO Polycrete Pty Ltd
Australia

Ph: 1300 765 226
www.acodrain.com.au
sales@acoaus.com.au

ACO Limited
New Zealand

Ph: 0800 448 080
www.acodrain.co.nz
sales@aconz.co.nz



© August, 2016 ACO Polycrete Pty Ltd. All reasonable care has been taken in compiling the information in this document. All recommendations and suggestions on the use of ACO products are made without guarantee since the conditions of use are beyond the control of the company. It is the customer's responsibility to ensure that each product is fit for its intended purpose and that the actual conditions are suitable. ACO Polycrete Pty Ltd. pursues a policy of continuous product development and reserves the right to amend specifications without notice.